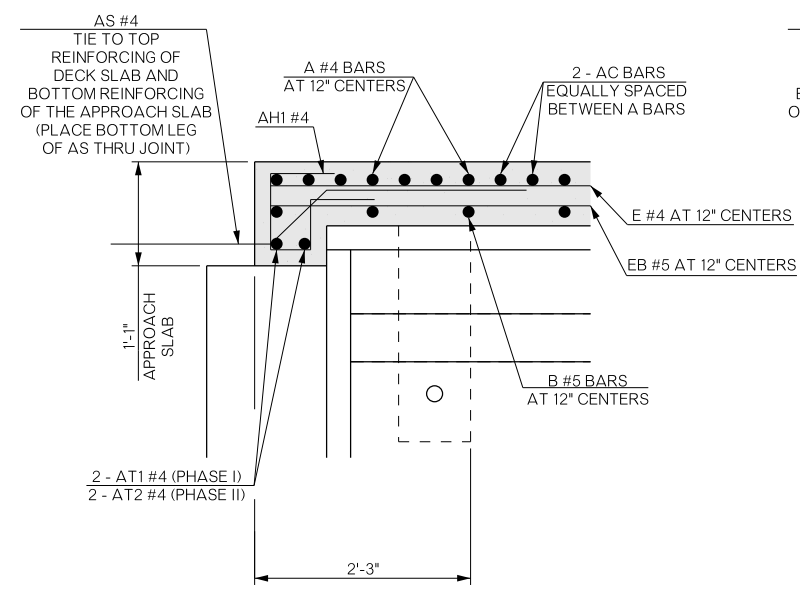
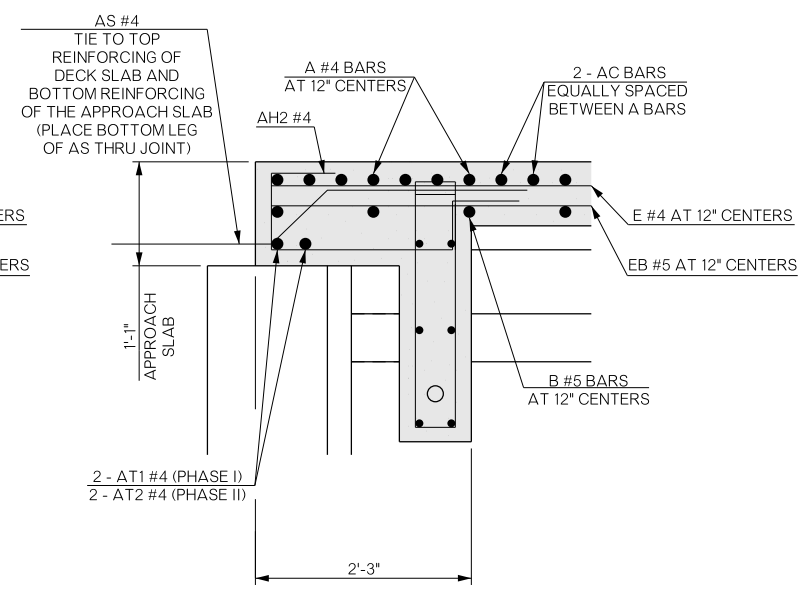


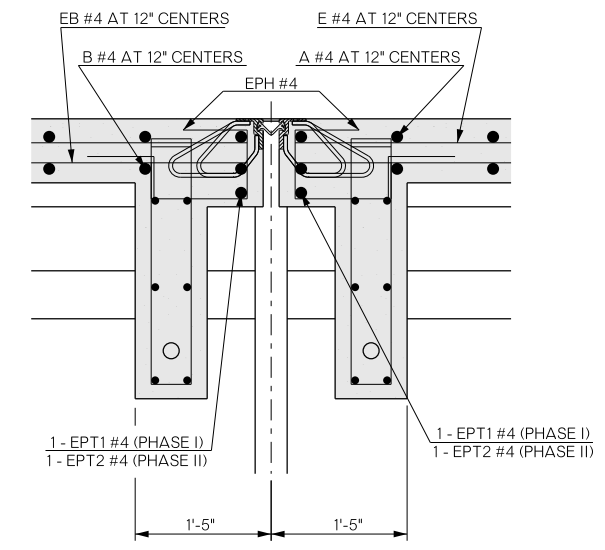
REVISIONS		
REV. NO.	DESCRIPTION	DATE



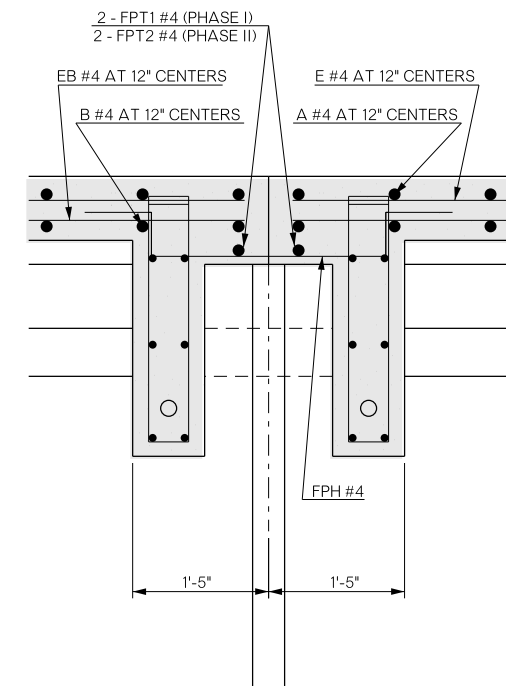
SECTION A
TYPE IV P.C. BEAM



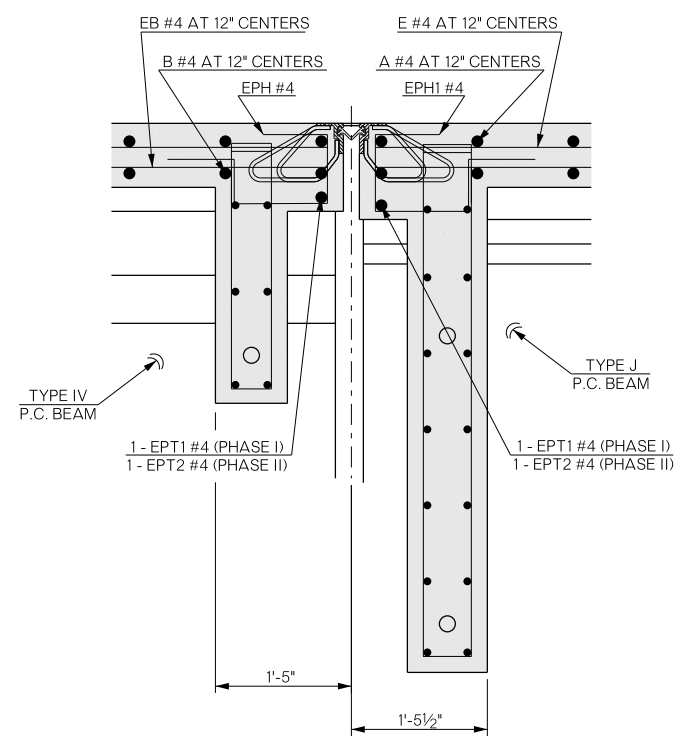
SECTION B
TYPE IV P.C. BEAM



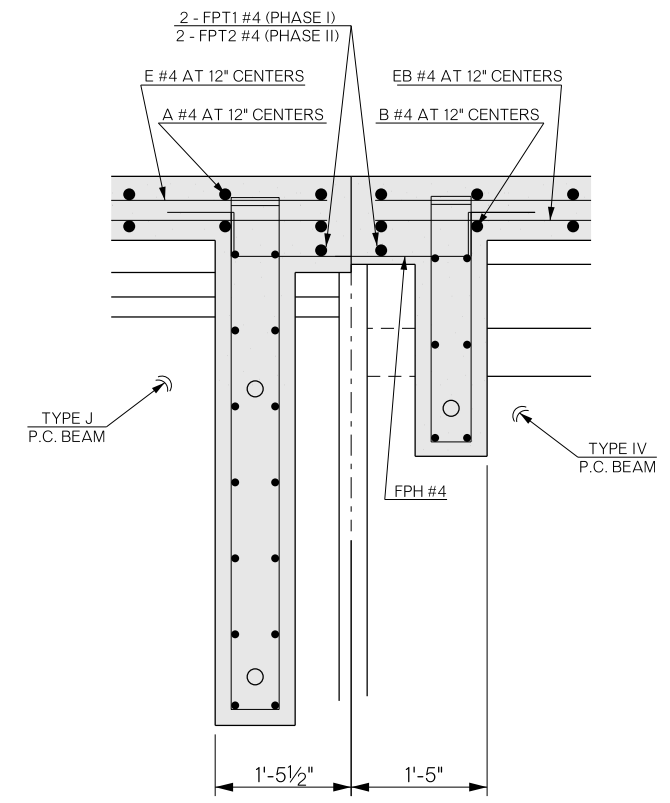
SECTION C
TYPE IV P.C. BEAM



SECTION D
TYPE IV P.C. BEAM



SECTION E



SECTION F

BRIDGE "A" SH-33 OVER COTTONWOOD CREEK	LOGAN COUNTY	Design	GT	11/15
DETAILS OF SUPERSTRUCTURE (SHEET 13 OF 14)		Detail	TIS	4/16
		Check		
STATE OF OKLAHOMA		DEPARTMENT OF TRANSPORTATION		
JOB/PCEN: 21860(04)		SHEET NO. B066		